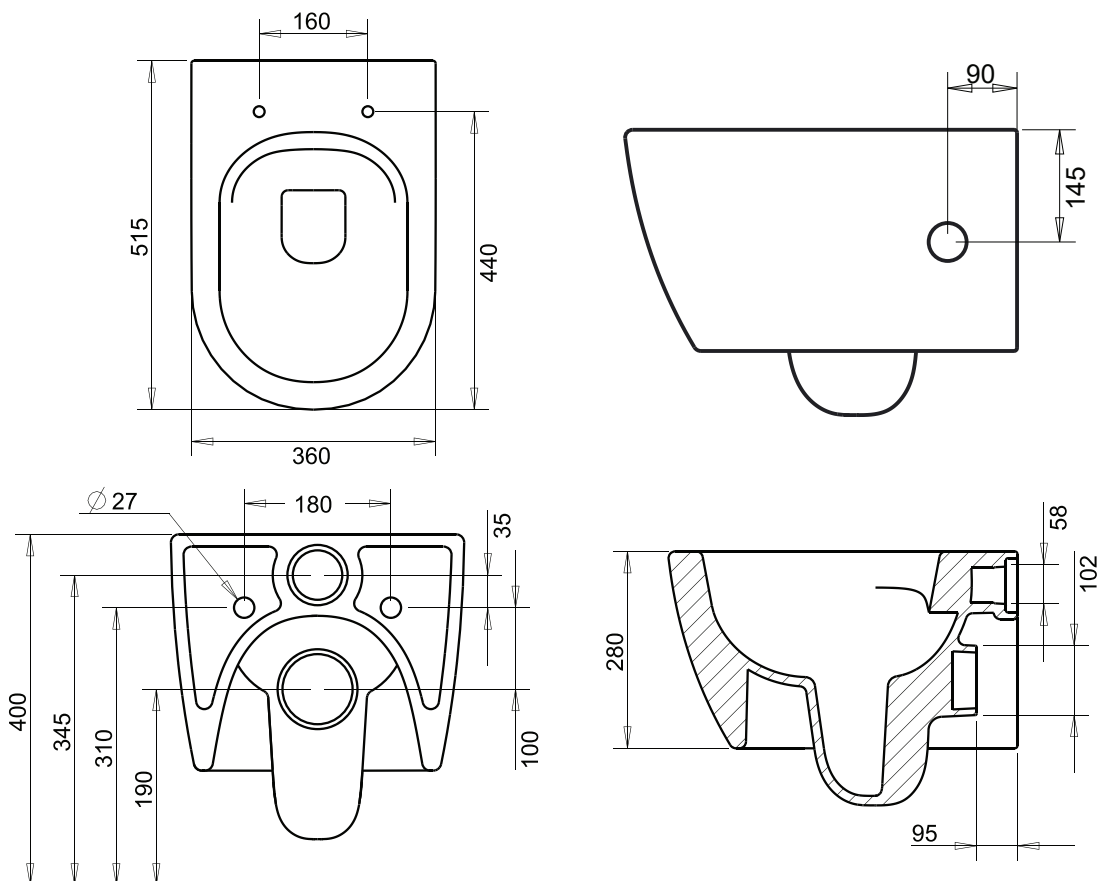
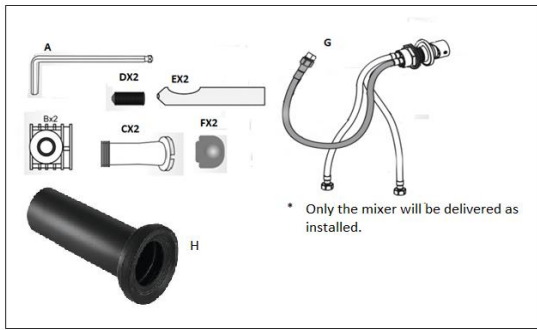




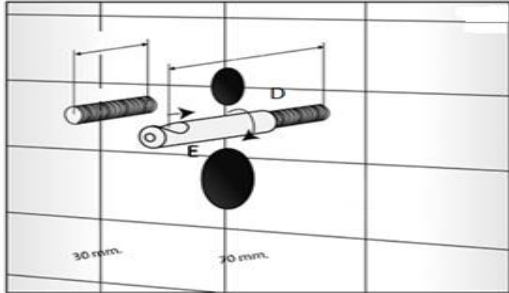
TECHNICAL DRAWING



INSTALLATION INSTRUCTION FOR WALLHUNG CLOSET WITH INTEGRATED MIXER HOT&COLD WATER



- A Allen Spanner
- B Centering Part
- C Centering Part
- D Holding Screw
- E Steel Holding Bar
- F Tightening Part
- G Integrated Mixer with Hot&Cold Water Connection Pipes
- H Connector Pipe



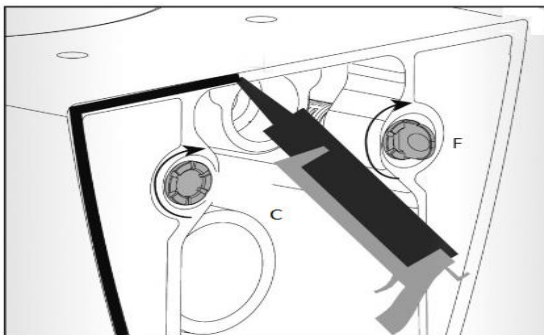
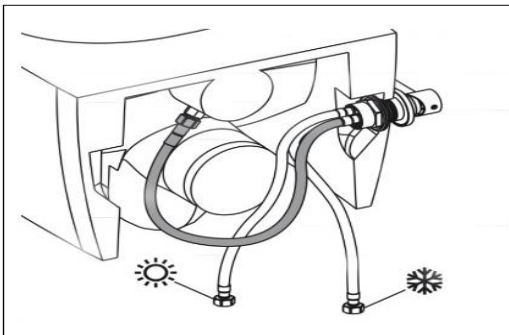
Fasten steel cylinder in the direction of arrow.



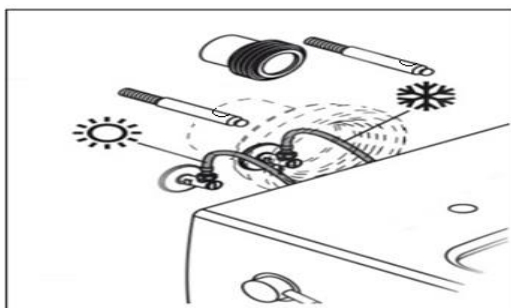
Assemble the parts of mixer.



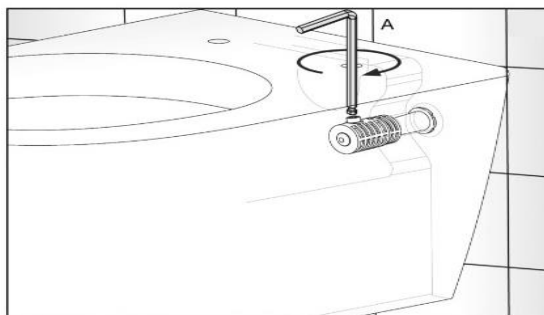
Fix with allen spanner.



Put the fitting to the installation places and make fas with a spanner in the direction of arrow.Tighten the silicone at the location shoen in the picture.



Put the closet in steel cylinder and adjst the place.



Fasten the screw with allen spanner in the direction of arrow.